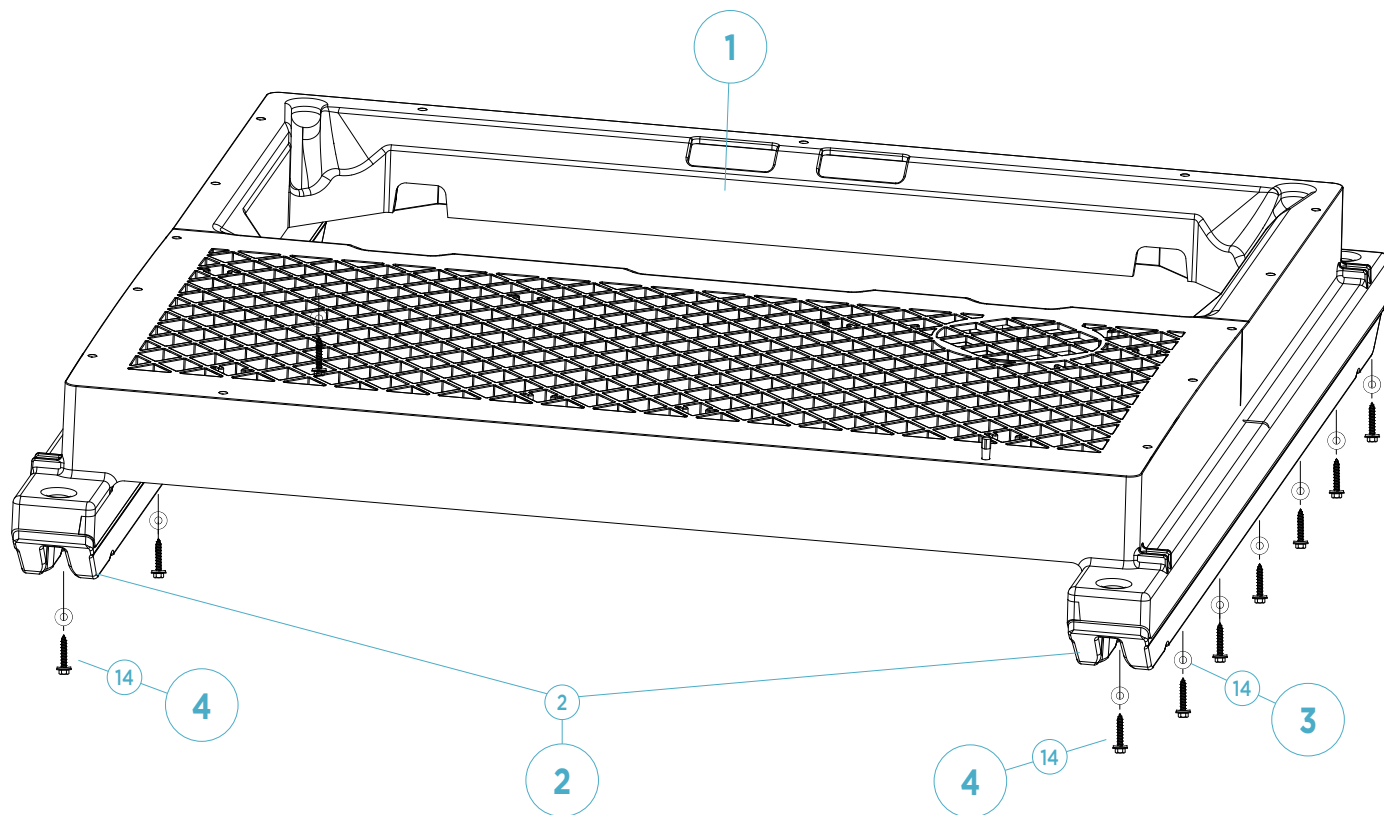


IMPACT BASE w/GRID FLOOR | MAJOR ASSEMBLY



IMPACT BASE w/GRID FLOOR | MAJOR ASSEMBLY PARTS

ITEM #	PART #	QPU	DESCRIPTION	COMMENT	PRICE
1	10029	1	FRAME- IMPACT BASE		
2	10030	2	RUNNER- IMPACT BASE		
3	11360	14	WASHER- 1/4 ID FENDER STNLS		
4	22726	14	SCREW- 1/4 X 1- 1/2 LAG STNLS		
5	10031	15	PLUG- IMPACT BASE		
	10033		BASE ASSY- IMPACT GRID FLOOR		