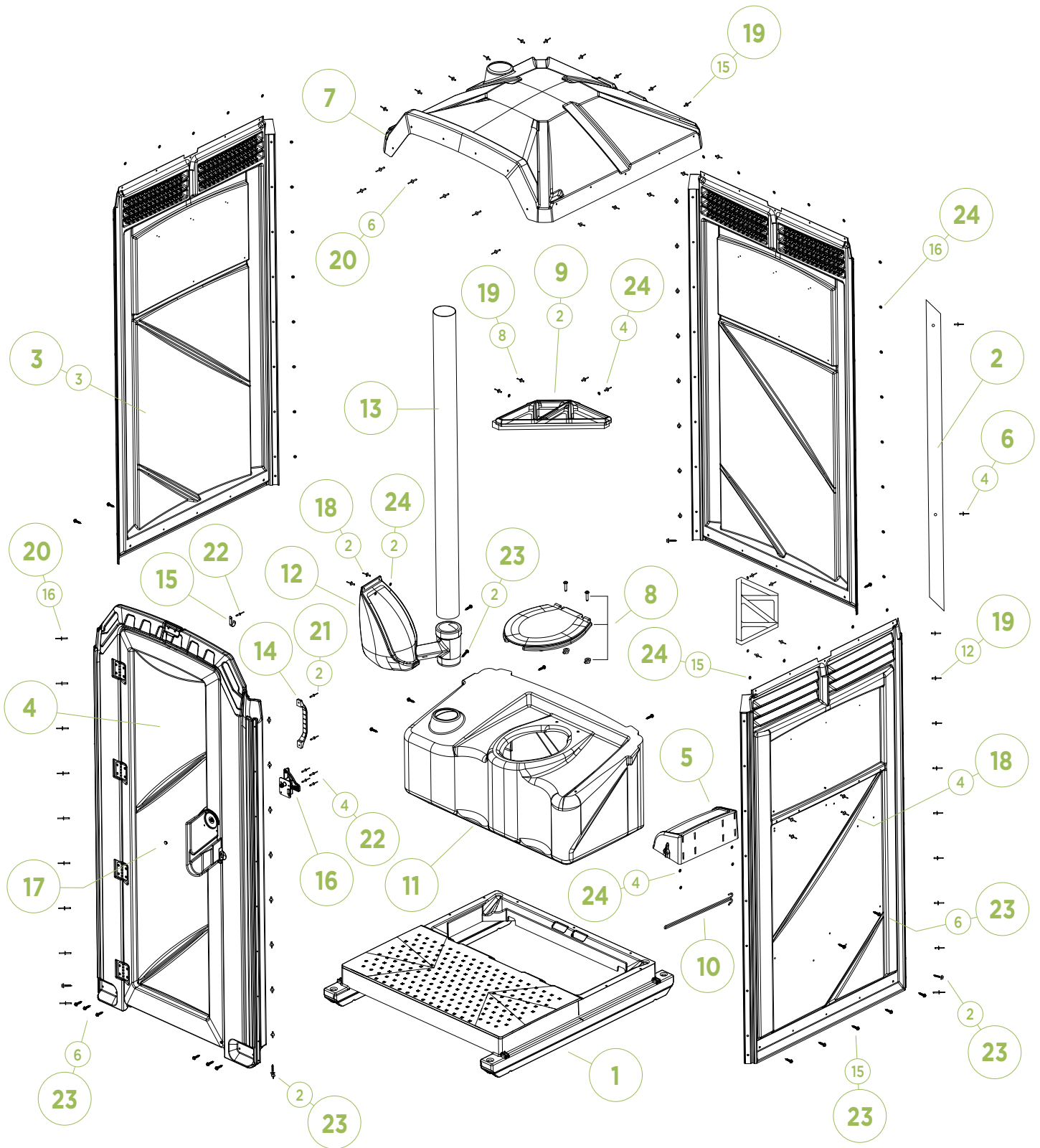


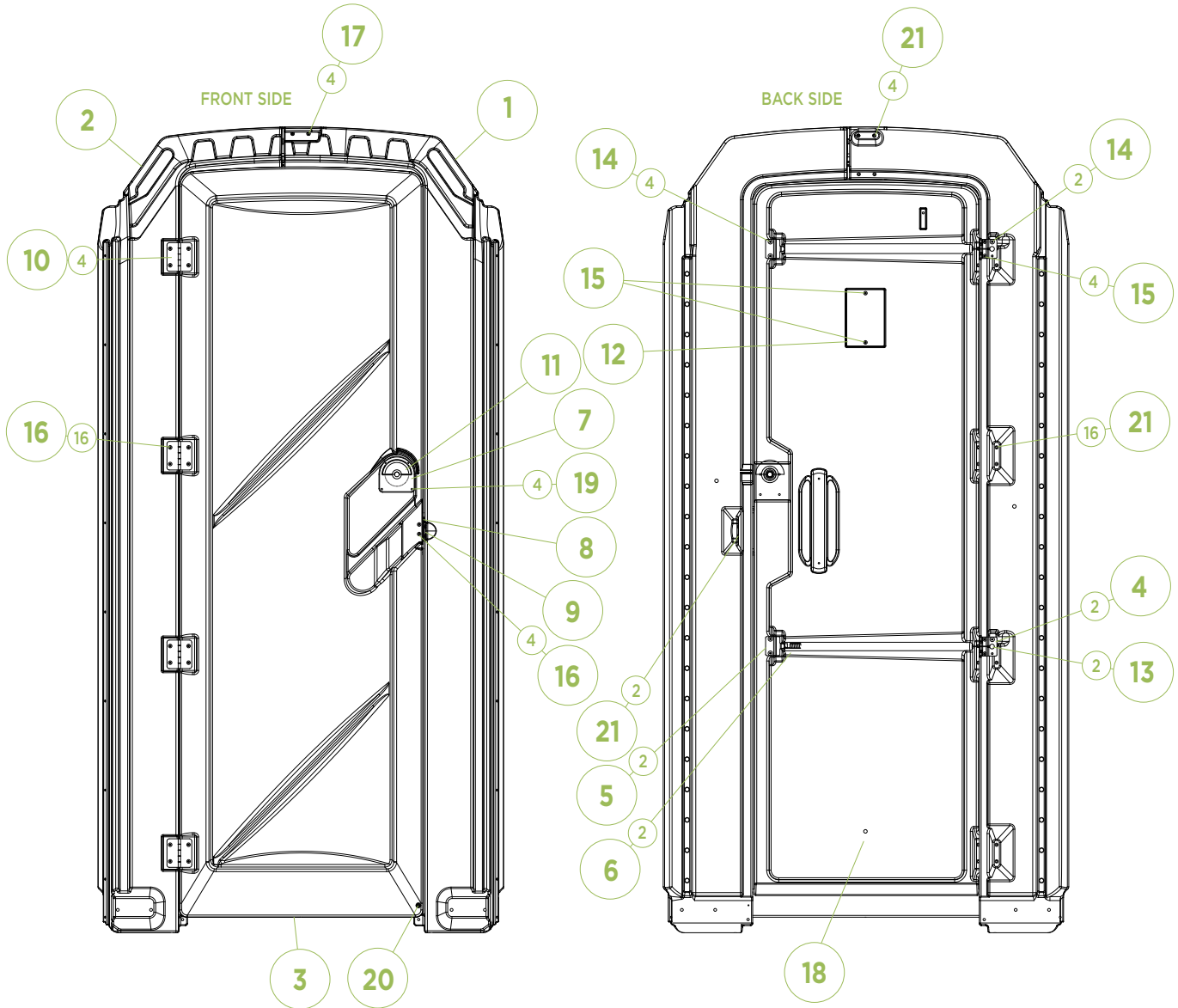
MAXIM 2000 | MAJOR ASSEMBLY



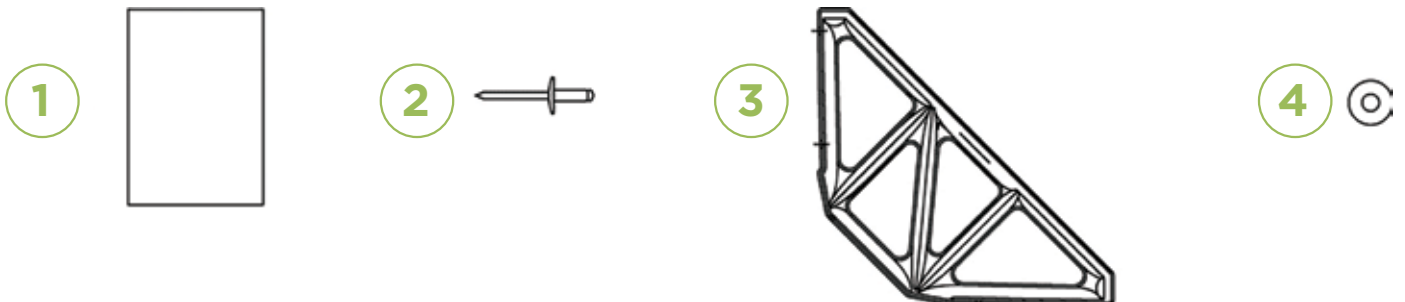
MAXIM 2000 | MAJOR ASSEMBLY PARTS

ITEM #	PART #	QPU	DESCRIPTION	COMMENT	PRICE
1	10034	1	BASE ASSY- IMPACT SOLID FLOOR		
	10032	1	COVER- FLOOR IMPACT BASE		
2		2	CORNER COVER DRILLED		
3		3	PANEL- MAXIM 2000 II		
4		1	FRONT ASSY- MAXIM 2000 II		
	16202	1	HDWE- MX2 II		
5	22209	1	HOOD- PAPERGRD 3 ROLL DGRY		
5	17037	1	KIT- PAPERGRD 2 ROLL EXPAN RIV		
5	22336	1	KIT- PAPERGRD II 3ROLL EXP RVT		
7	16167	1	ROOF- MX2 II		
8	14959	1	SEAT- ELONG MX2/MX3/Trs/HT BLK		
	19196	1	KIT- T/SEAT 2-1/2 BOLT/NUT SET		
9	16075	2	SHELF- MX2 & TUFWAY DGRY		
10	22310	1	SPINDLE- PRGRD II 3 ROLL METAL		
10	16844	1	SPINDLE- PAPERGUARD 2 ROLL MTL		
11	14765	1	TANK- MX2 DGRY		
12	14119	1	URINAL- STANDOVER DGRY		
13	14133	1	VENT PIPE- 4 X 63 DGRY		
14	16807	1	HANDLE- PLASTIC HOVER	LATE 2017 TO PRESENT	
15	10891	1	HOOK- FLAT COAT STNLS		
16	14767	1	LATCH- RESTROOM PLASTIC		
17	10161	1	PLUG- 1/2 INDICATOR BLACK PLST		
18	11054	6	RIVET- #68 AAL POP		
19	11030	35	RIVET- #66 AAL POP		
20	14427	22	RIVET- #66 LSH W/LOCK MANDREL		
21	17030	2	RIVET- AVDEL BLACK		
22	18755	5	RIVET- AVDEL SILVER LONG		
23	13860	34	SCREW- #14 X 1- 1/2 W/WSH GOLD		
24	11315	41	WASHER- 3/16 RIVET STNLS		
25	15337	12	RIVET- .195IN PLASTIC EXPANDNG		
26	14112	6	SCREEN- 3.8 X 15.25 PLSTC VENT		
	16186	1	INSTRUCTION- MX2 II	SEE WEBSITE	

MAXIM 2000 | FRONT ASSEMBLY



MAXIM 2000 | SHELF ASSEMBLY



MAXIM 2000 | FRONT ASSEMBLY PARTS

ITEM #	PART #	QPU	DESCRIPTION	COMMENT	PRICE
1		1	FACING- MX2 HASP	NONSALEABLE	
2		1	FACING- MX2 HINGE	NONSALEABLE	
3		1	DOOR- MX2	NONSALEABLE	
4	14770	2	BRACKET- MAXIM CABLE ANCHOR		
5	10511	2	BRACKET- SPRING ANCHOR TUFWAY		
6	14649	2	CLOSURE ASSY- DOOR MX2/TM II		
7	13415	1	COVER- INDICATOR BLACK		
8	13199	1	HASP- 3/16 RIVET HOLE FACING		
9	15059	1	HASP- FLAT 1- 3/4IN LONG		
10	13266	4	HINGE- DOOR STNLS ROUND CORNER		
11	15630	1	INDICATOR- UNIVERSAL DGRY		
12	14474	1	MIRROR- 4 X 6 STNLS STEEL		
13	14803	2	PLUG- 3/8 HOLE		
14	18755	6	RIVET- AVDEL SILVER LONG		
15	12393	6	RIVET- #64 AAP POP		
16	11270	20	RIVET- #68 STNLS		
17	10812	4	RIVET- #612 ALUM		
18	21131	3	CALL FOR DETAILS		
19	10804	4	SCREW- #8 X 3/4 PHPN TAP		
20	12007	1	SCREW- #10 X 1- 1/4 PN PH TAP		
21	11315	22	WASHER- 3/16 RIVET STNLS		
	14198	1	KIT- LATCH & INDICATOR		
	15391	1	KIT- PLASTIC DOOR LATCH		
	13726	1	KIT- UNIVERSAL INDICATOR		

MAXIM 2000 | COMPLETE FRONT ASSEMBLY

PART #	DESCRIPTION	PRICE
16163	FRONT ASSY- MX2 II DGRY	

MAXIM 2000 | PANEL

PART #	DESCRIPTION	PRICE
20598	PANEL- MX2 II DGRY	